



# J408

## Conventional Fire Control Panel 2 / 4 / 8 zone

### General Description

Designed and certified according to EN54 standards, J408 is a microprocessor based fire control panel suitable for small and medium size installations.

The panel has two, four or eight input zones according to the model. On each zone can be connected up to 30 fire detectors allowing the panel to manage up to 240 of them.

Each input zone has its own repetition open collector output suitable for zone related signalling devices.

The panel also supply some outputs for signalling devices, dialler etc.

Thanks to its plastic front door the panel is easy to use and permits to all the user to take a quick look of the situation but only to authorized people (key owners) to take actions.

The panel cabinet can house one optional extinguish module which is capable to manage a wide range of extinguishment systems.

### Main features

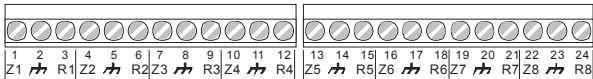
- EN54 standards part 2 and part 4 approved
- 2,4 or 8 input zones, supervised and bypassable.
- Up to 30 devices can be connected on each input zone : Fire detectors, Call point, gas detectors, CO detectors etc.
- One repetition open collector output for each zone
- 2 Fire alarm outputs supervised and bypassable
- 1 Fire alarm output not supervised
- 1 Fault output not supervised
- User friendly visual and audible signals on front panel
- Capability to house 1 extinguish module
- 27,6V, 1.5A Power supply and battery charger housed in

## Input Circuits

For Fire detection purpose, the panel has input terminals (Zones, 2,4 or 8 depending on the model) for conventional detectors connection. These detectors behave as an open contact in stand by condition and become resistor equivalent in alarm state.

Moreover devices with same characteristic can be connected (e.g. manual call Point, gas detectors etc.).

Do not connect more than 30 devices on each zone input.



Input zones need a 3900Ω end of line resistor and are capable to detect alarm, short circuit or open circuit conditions.

## Output Circuits

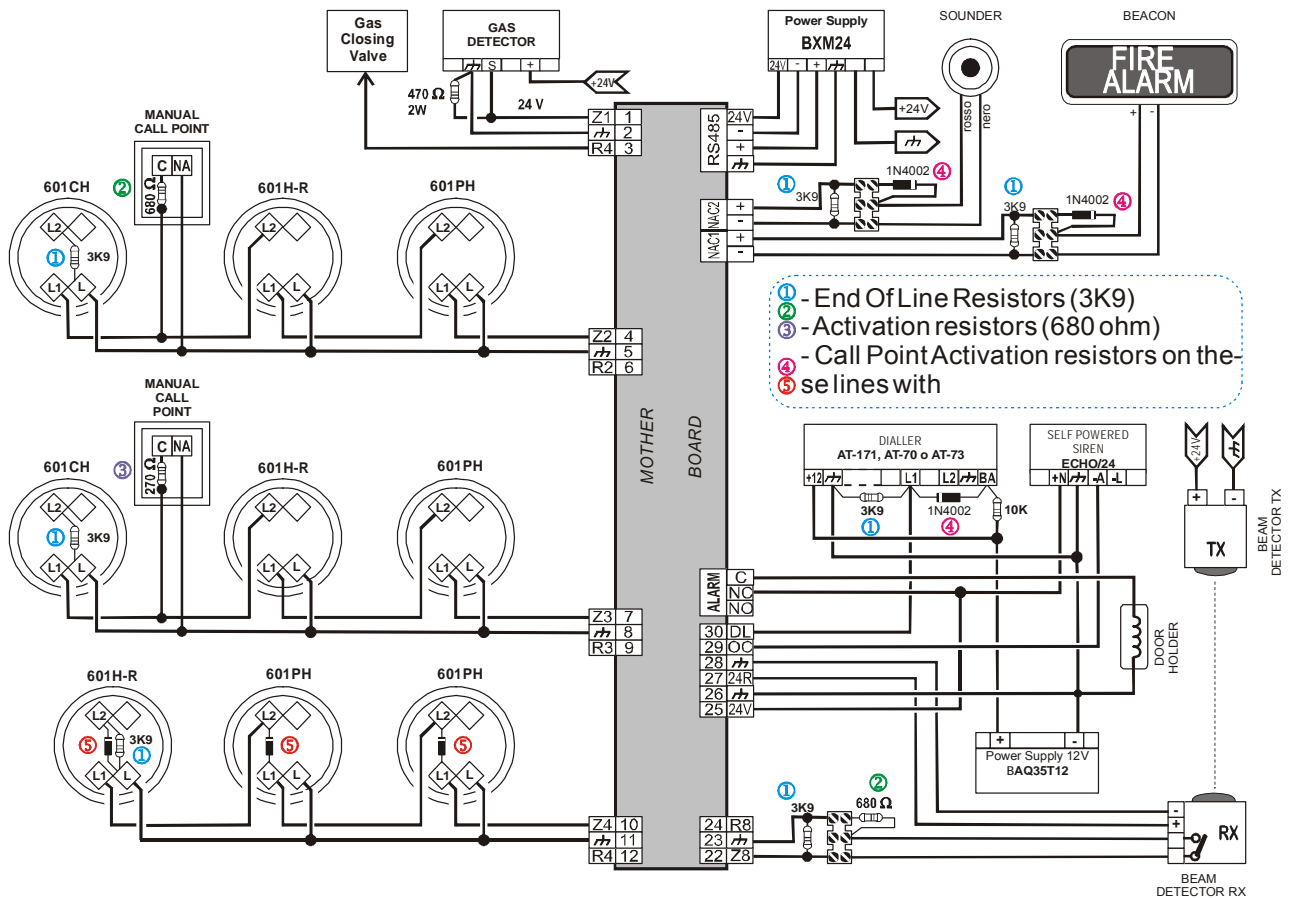
On panel board are available: two supervised output (NAC : Notification Appliance Circuit) for alarm signalling devices (sirens, beacon etc.), one not supervised relay output activated when alarm is detected, one not supervised relay output activated when a fault is detected . the above mentioned not supervised relay are capable to switch loads up to 5A.

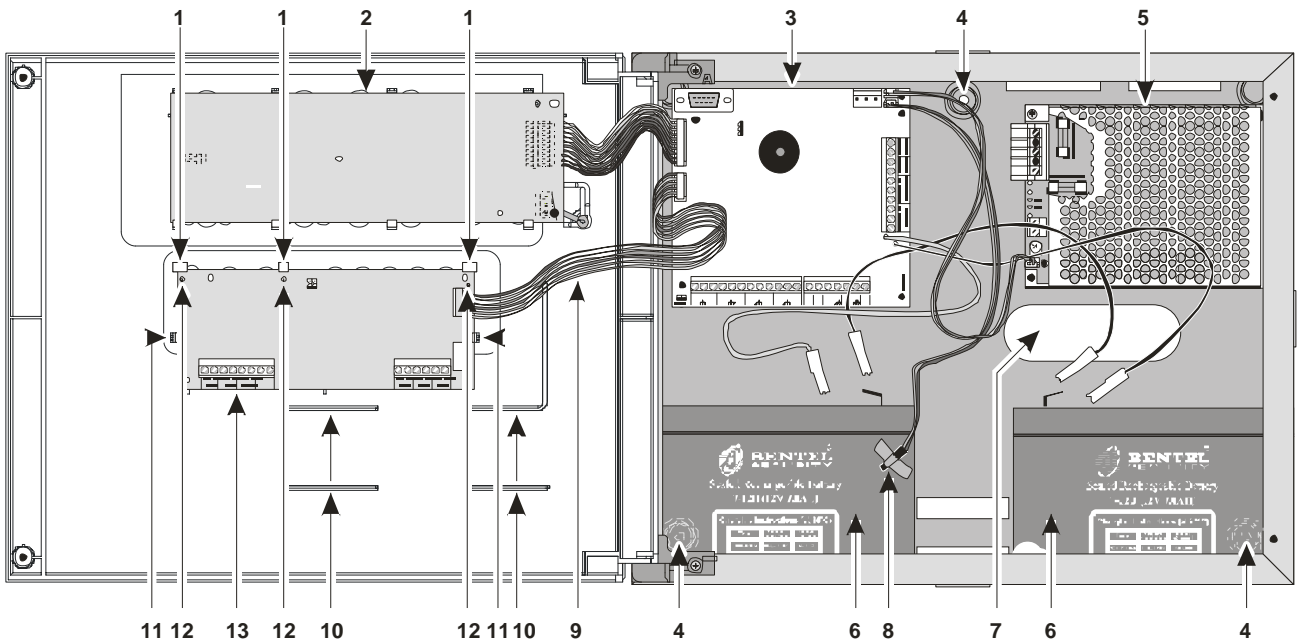
The [DL] terminal (supervised open collector output) can be used to drive an external dialler, this terminal must be terminated with a 3900 Ω end of line resistor for circuit supervision.

The [OC] output (not supervised open collector) can be activated by one or more signals selected by the installer among the ones available.

For external device feeding are available two terminals pair : [24V] which supply a continuous voltage of 24V (1A), [24R] which supply 24V (1A) switched off for few seconds during the reset.

## Wiring





- 1 Housing for extinguishing module
- 2 Control Board
- 3 Mother board 2/4/8 zones
- 4 Holes for wall mounting
- 5 Switching power supply
- 6 Batteries (2) 12 V / 7 Ah (not supplied)
- 7 Wires entry point
- 8 thermal probe (optional)
- 9 Flat cable for extinguish module connection (supplied with extinguishing module kit)
- 10 Guides for the fixing cables
- 11 Supports for extinguishing module
- 12 Pins for extinguishing module housing
- 13 extinguishing module (optional)

### Power Supply

The switching power supply housed in the panel is EN54-4 approved and it is capable to provide 1.5A at 27.6V

The cabinet is capable to allow 2 batteries 12V-7Ah which, connected in series, provide the power for system feeding in case of main missing.

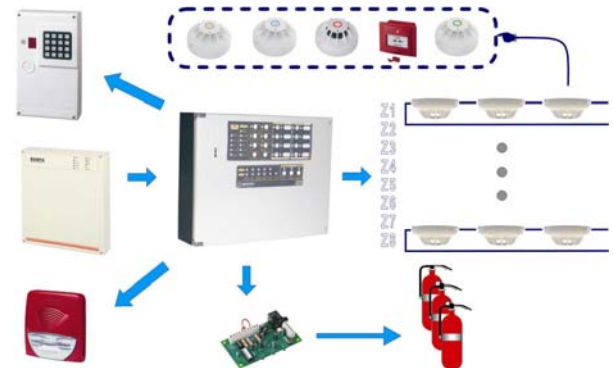
The panel is able to detect and signal following faults: Fuses, Batteries (missing or low), Ground fault, main fault.

A delay can be programmed for main fault signalling .

Battery missing is detected within 100 seconds which is the time between two consecutive tests.

### System

The following figure shows the panel with all devices which can be connected: detectors, Manual Call Points, dialler, Sounders, Extinguish module, additional power supply (only for J408-8).



## Specifications

Input Voltage	230V~, 50Hz±10%
MAX Current sink	0,51 A
Power	35 W
MAX Available Current	1 A
Output Voltage	19,6Vdc ÷ 27,6 Vdc
Ripple on low voltage	1 %
Batteries	2 * 12 V – 7 A/h YUASA (NP 7-12 FR)
Temperature Range	- 5 ÷ + 40 °C
Dimensions (L*H*P)	354*280*100 mm
Weight	8,2 Kg ( with 7 A/h batteries included)

## Commercial codes

- J408-2 2 zones Fire control panel
- J408-4 4 zones Fire control panel
- J408-8 8 zones Fire control panel
- J400-EXT Extinguishing module.
- J400-LCD LCD display module
- J400-SOFT Programming software for J408-J424 panels

Distributor:



**BENTEL**<sup>®</sup>  
SECURITY

Bentel Security s.r.l.  
Via Gabbiano, 22  
Z.I. S. Scolastica  
64013 Corropoli (TE) – ITALY  
Tel. +39 0861 839060  
Fax +39 0861 839065  
e-mail: [info@bentelsecurity.com](mailto:info@bentelsecurity.com)  
<http://www.bentelsecurity.com>